

# GPS Antenna

## GPS6668



## Specifications Sheet

### Features :

- 1.13mm/L 35mm/3.0V/ I-PEX

**1. Features :**

- High gain and low noise figure
- Ultra low power consumption
- Varied cable length and connectors are available
- Compact Construction
- Excellent Temperature Stability

**2. Applications:**

- Car Navigation System
- Hand-held GPS system

**3. Specifications:****I. Patch Antenna:**

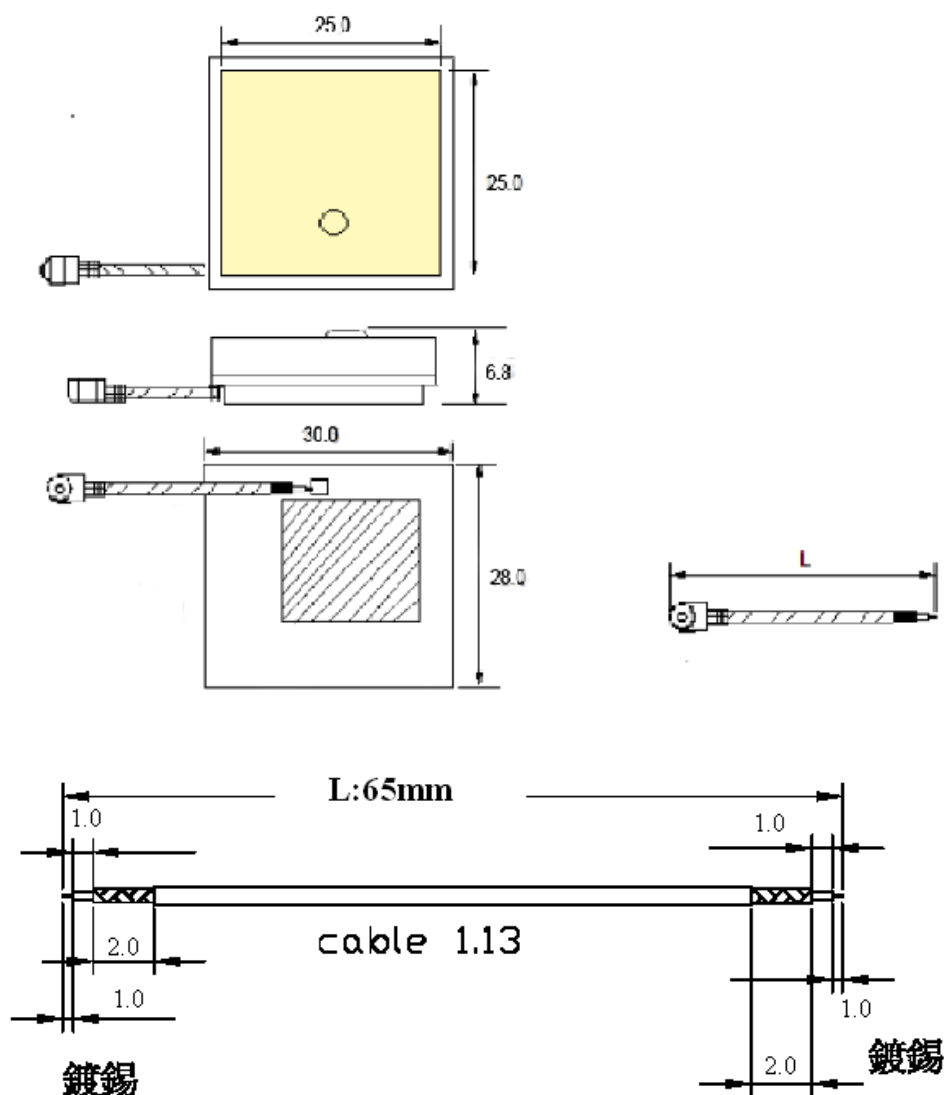
Operating Frequency	1575±3 MHz
Ground Plane	30×28mm
Bandwith(at 10dB return loss)	6MHz min
Gain at Zenith	+3.0 dBi Typ.
Axial Ratio	5.0 dB max
VSWR	1.8 dB max
Impedance	50Ω
Operating Temperature	-40°C ~+85°C

**II. LNA :**

System Gain without cable	15 dB typ @ 3.0V (+25°C)
Noise Figure	1.2 dB typ (+25°C)
Output VSWR	2.0 dB max
Out of band rejection	Fo=1575.42 MHz
	--
	--
Voltage	3.0V
Current Consumption	6.0 mA typ @3.0V
Cable Type & Length	Coaxial 1.13mm/ L:65mm+/-2mm
Connector	I-PEX
Operating Temperature	-40°C ~+85°C

**III. Others:**

Dimension	L:30+/-2mm W:28+/-2mm H:6.8mm max
Weight	20 g
Polarization	R.H.C.P.
Recommended Temperature	-20°C to 45°C
Storage Condition	Humidity 80% max

**5. Dimensions:**


Tolerance : +/- 0.2mm