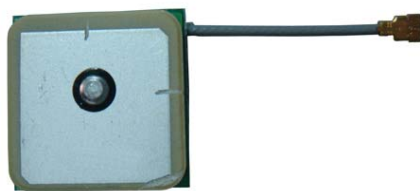


GPS Antenna

GPS6658



Specifications Sheet

Features :

- 1.13mm/L 35mm/3.0V/ I-PEX

1. Features :

- High gain and low noise figure
- Ultra low power consumption
- Varied cable length and connectors are available
- Compact Construction
- Excellent Temperature Stability

2. Applications:

This application shall apply for antenna unit which shall be used with an engine for an automobile.(for impedance 50Ω)

3. Appearance:

Antenna Unit (with radome, connector ,and cable-refer to an attached drawing)

Dimensions	18.5*18.5*4.6 mm
Radome	N
Weight	10 g
Connector	I-P EX
Cable Type	1.13 mm
RF Cable Length	35mm

4. Specification**I. Patch Antenna:**

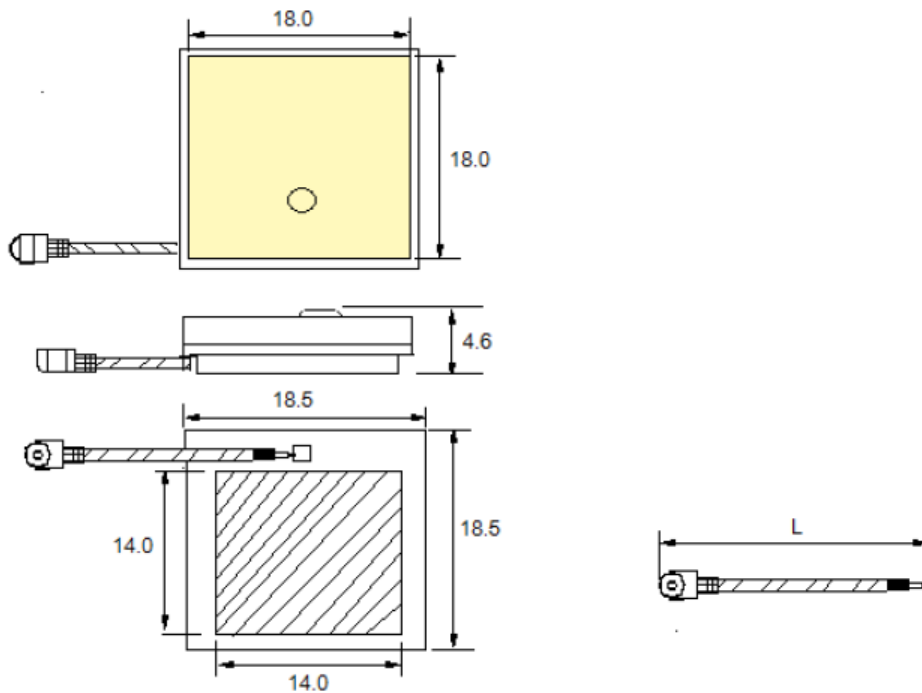
Operating Frequency	1575.42±1.02 MHz
Ground Plane	50×50mm
Polarization	R.H.C.P.
Gain at Zenith	3.0 dBi Typ.
Axial Ratio (50 mm GND PLANE)	5.0 dB max
VSWR	1.8 dB max
Impedance	50Ω
Operating Temperature	-40°C ~ +85°C

II. LNA :

System Gain without cable	18 dB typ @ 3.0V (+25°C)
Noise Figure	1.0 dB typ (+25°C)
Output VSWR	2.0 dB max
Voltage	3.0V
Current Consumption	7.0 mA typ @3.0V
Cable Type & Length	I-PEX 1.13mm/ L:35mm+/-2mm
Connector	I-PEX
Operating Temperature	-40°C ~+85°C

III. Others:

Dimension	L:18.5mm W:18.5mm H:4.6mm typ.
Weight	10 g
Polarization	R.H.C.P.
Recommended Temperature	-20°C to 45°C
Storage Condition	Humidity 80% max

5. Dimensions:


tolerance: +/-0.2mm