

WIFI Antenna Ct-W007



2.4G Antenna, swivel type with RP SMA(M)st.

Part No.: 3-6081-433R000

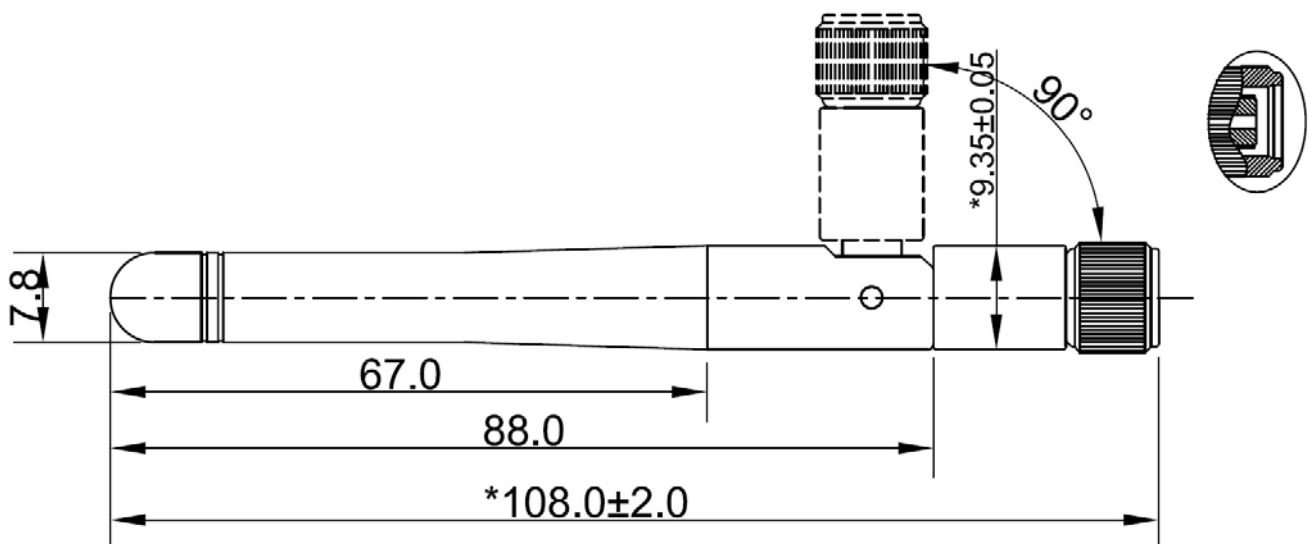
Electrical

Frequency Range	2400~2500MHz
Impedance	50 ohms
Return Loss	-10 dBi MAX.
VSWR	2.0 Max
Max Gain	2.0 dBi

Mechanical

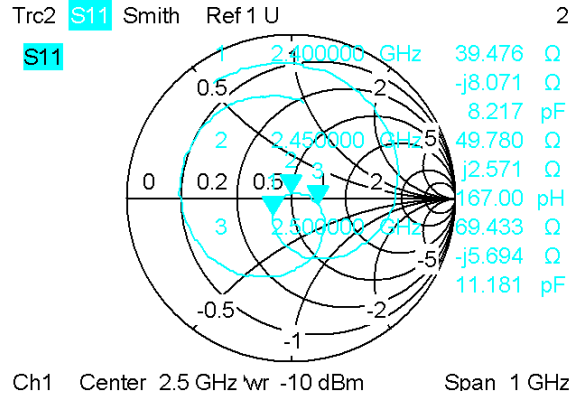
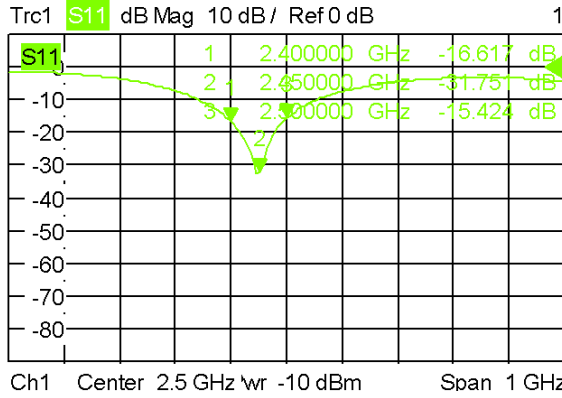
Antenna Color	Black
Antenna Base	PC/PBT
Operating Temperature	-45°C~+85°C
Cable	RG178 (Brown)
Connector	RP SMA Plug

Structure Figure

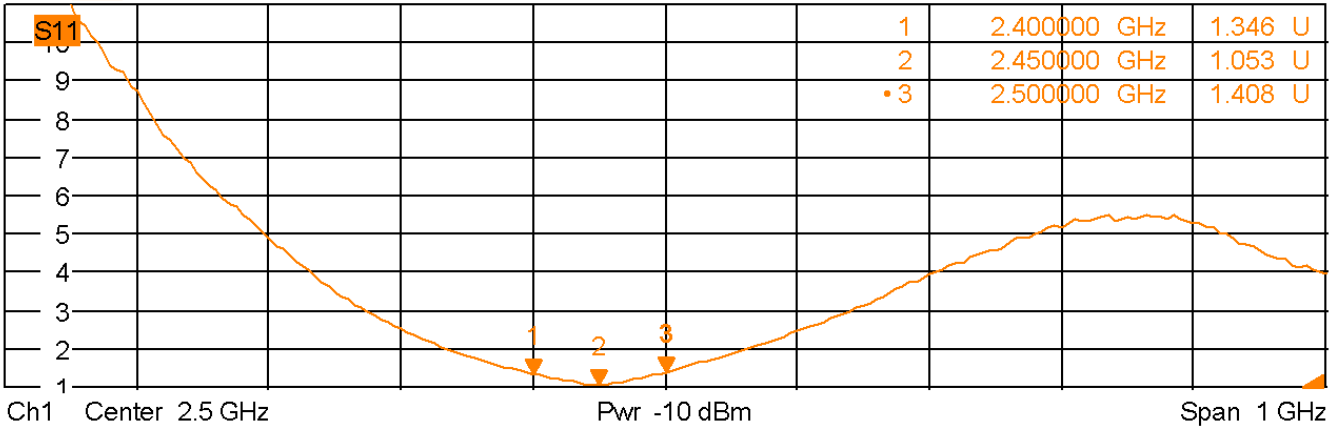


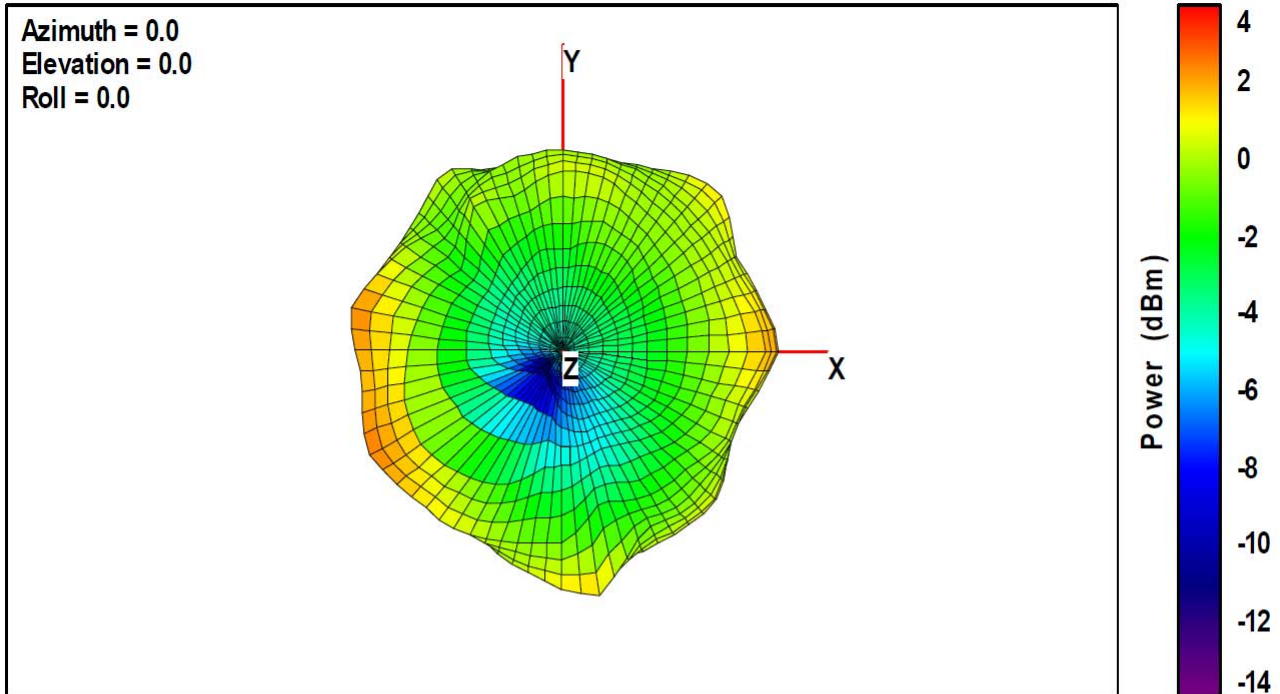
unit : mm

Test Report



Trc3 S11 SWR 1 U/ Ref 1 U 3



Measured Value
Total


Passive Test For wifi						
Freq (MHz)	Efficiency (%)	Peak EIRP (dBm)	Gain (dBi)	Gain (dBd)	AVG.Gain (dBi)	Directivity (dB)
2400	42.34	-3.73	2.21	0.06	-3.73	6.52
2410	43.17	-3.65	2.23	0.08	-3.65	8.11
2420	43.46	-3.62	2.23	0.08	-3.62	8.09
2430	45.22	-3.45	2.08	-0.07	-3.45	6.08
2440	45.10	-3.46	2.88	0.73	-3.46	6.27
2450	43.87	-3.58	2.57	0.42	-3.58	5.49
2460	42.75	-3.69	2.81	0.66	-3.69	6.98
2470	43.81	-3.58	2.97	0.82	-3.58	5.42
2480	44.90	-3.48	2.14	-0.01	-3.48	5.36
2490	45.84	-3.39	2.15	0	-3.39	5.03
2500	46.53	-3.32	2.63	0.48	-3.32	5.78