


NO	QTY	PART NO	DESCRIPTION	MATERIAL	FINISH	DATE	TOLERANCE	DESCRIPTION
2	1	I-PEX + 1.13 MM Cable	I-PEX + 1.13 MM Cable	SEE PART'S DWG	COLOR:GRAY	2014/05/29	100MM+ -1MM	RP SMA R/A PCB TO I-PEX FOR 1.13MM L=100MM
1	1	RP SMA R/A PCB	RP SMA R/A PCB	SEE PART'S DWG	GOLD PLATED	UNIT MM		
						DRAWING	APPROVE BY	PART NO :
						Leon	John	1-4114-005R000
						 連科電子股份有限公司 Connectec Electronics Co., Ltd.		

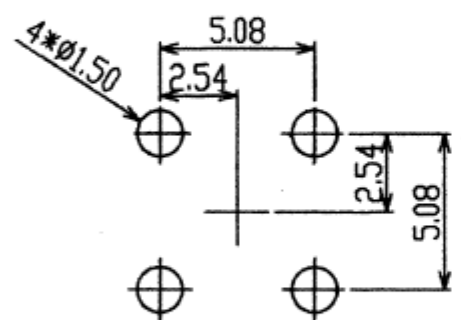
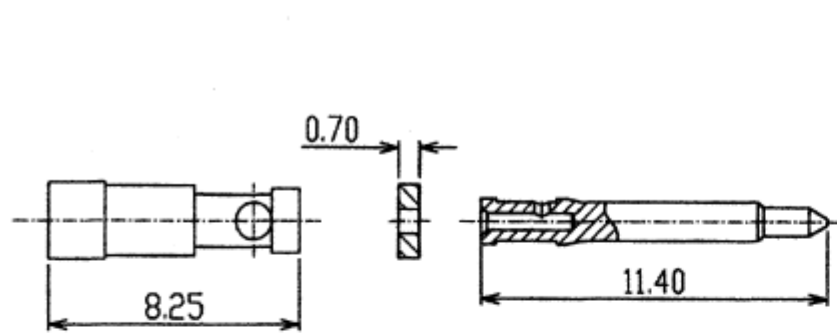
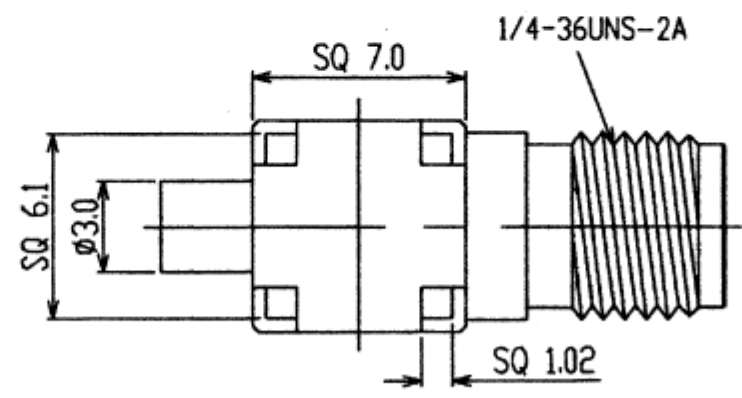
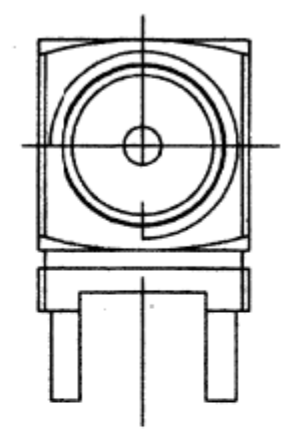
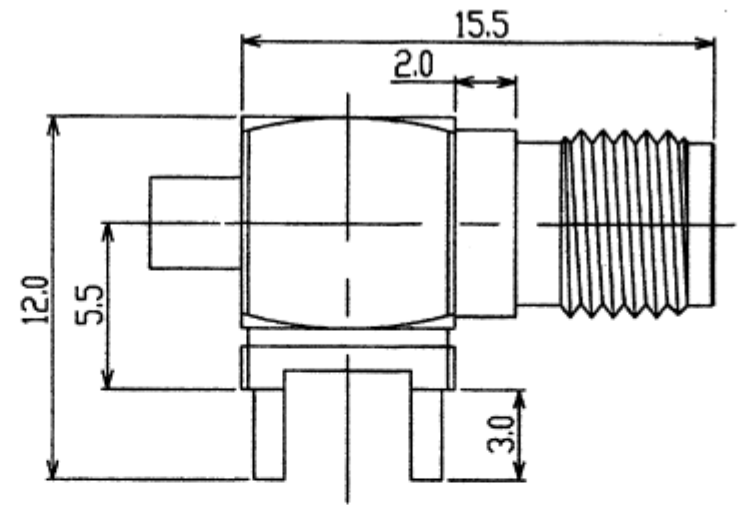
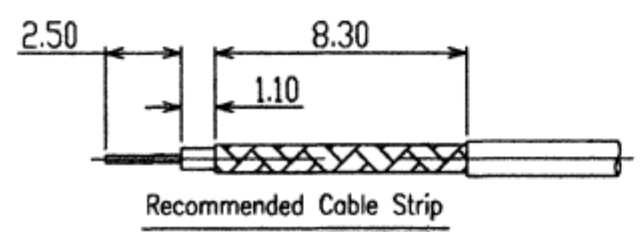



FIGURE A: RECOMMEND PCB MOUNT LAYOUT



NO	QTY	PART NO	DESCRIPTION	MATERIAL	FINISH	DATE	TOLERANCE	DESCRIPTION		
2	1	I-PEX + 1.13 MM Cable	I-PEX + 1.13 MM Cable	SEE PART'S DWG	COLOR:GRAY	2014/05/29	100MM+ -1MM	RP SMA R/A PCB TO I-PEX FOR 1.13MM L=100MM		
1	1	RP SMA R/A PCB	RP SMA R/A PCB	SEE PART'S DWG	GOLD PLATED	UNIT MM				
						DRAWING	APPROVE BY	PART NO :		
						Leon	John	1-4114-005R000		
						 連科電子股份有限公司 Connectec Electronics Co., Ltd.				