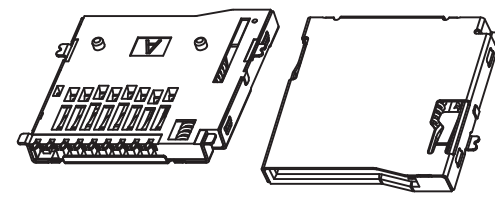
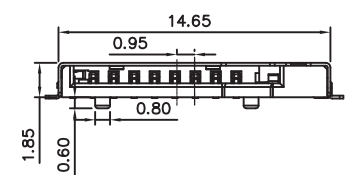
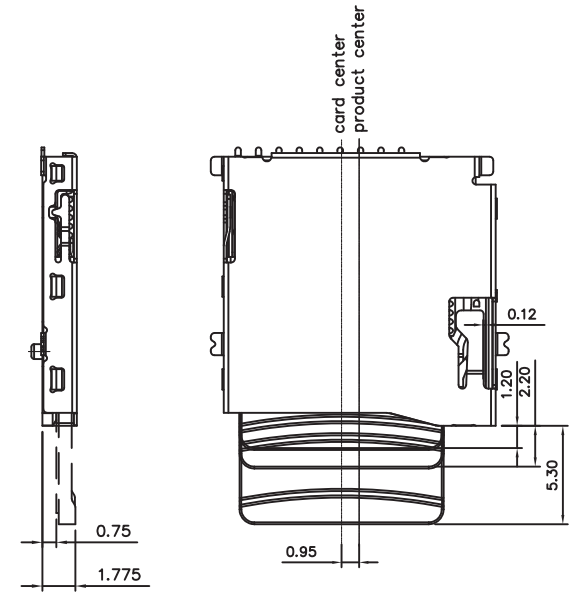
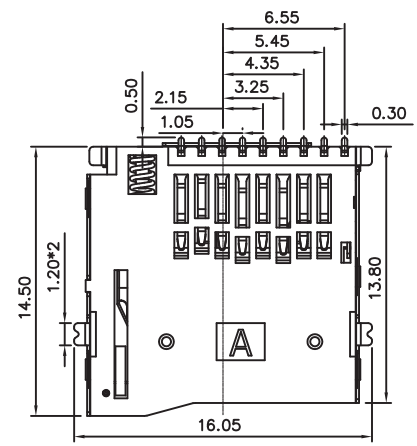
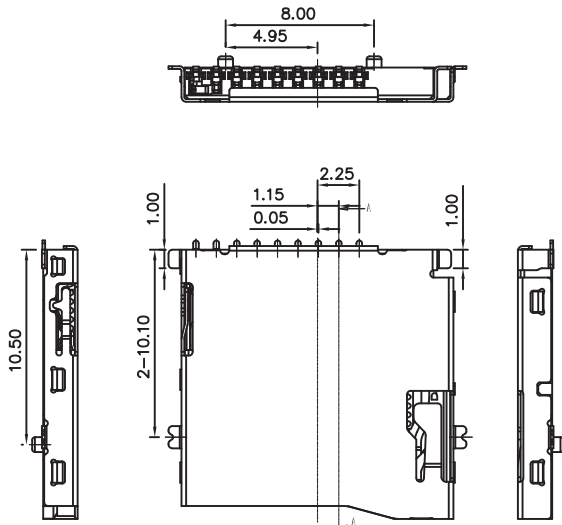
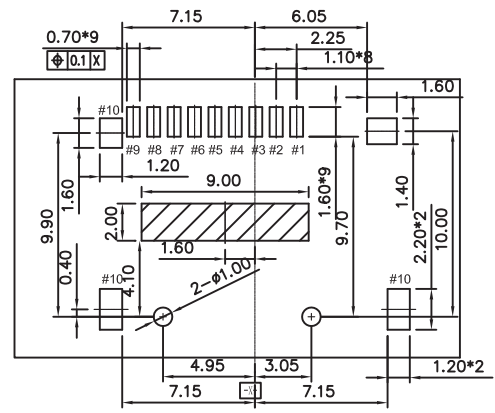


REV.	DESCRIPTION	DATE	DWG.	CHKD
0	PROPOSED	16/11/15	Bens	YC

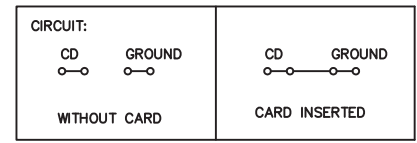


PIN No.	MICRO SD
PIN1	DATE2 1P
PIN2	CD/DATA3 2P
PIN3	CMD 3P
PIN4	VDD 4P
PIN5	CLK 5P
PIN6	VSS 6P
PIN7	DAT0 7P
PIN8	DAT1 8P
PIN9	CARD DETECT
PIN10	GROUND

**SPECIFICATION**  
**MATERIAL**  
 See drawing  
**STANDARD DATA**  
 Rating current: 0.5mA  
 Operating temperature: -40°C ~ +85°C  
**ELECTRICAL**  
 Insulator resistance: 1000M ohms Min. @ 250V DC  
 Withstanding voltage: 500V AC/minute  
 Contact resistance: 100 m ohms Max.  
**MECHANICAL**  
 Durability: 10000 cycles Min.  
 Insertion force: 2.0Kgf Max.  
 Extraction force: 0.5Kgf Min.  
 Mating cycle: 10000 cycles at the speed rate of 400-600 cycles/h; Without distortion of plastic and serious wear and tear in terminal, No signal break.



RECOMMENDED PCB LAYOUT  
 (ALL TOLERANCE ARE ±0.05)



ITEM	PARTS NAME	Q'TY	MATERIAL	FINISH/REMARK
1	HOUSING	1	SYNTHETIC RESIN	BLACK
2	SHELL	1	STAINLESS	Au Lead free on solder tails
3	CONTACT-SD	8	COPPER ALLOY	Gold on contact area

CUSTOMER	*****	GENERAL TOLERANCE	SCALE	SIZE	UNIT: mm
		±0.2 ±3°	1:1	A4	
CUSTOMER PART NO.	*****	PART NO.	1-3122-001R002		
		NAME	Micro SD Push Push Type w/SW H=1.85mm		
APP.	16/11/15	CHKD	16/11/15	DWG.	16/11/15
John	Klasu	Leon	Jeraw No.		

D

C

B

A