

6

5

4

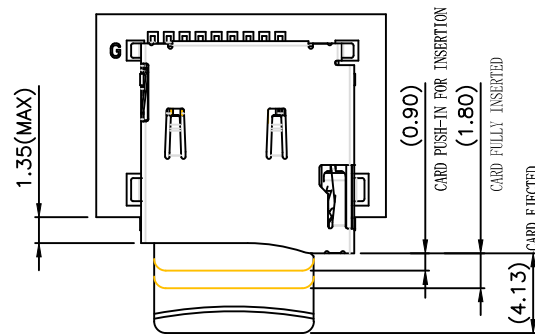
3

2

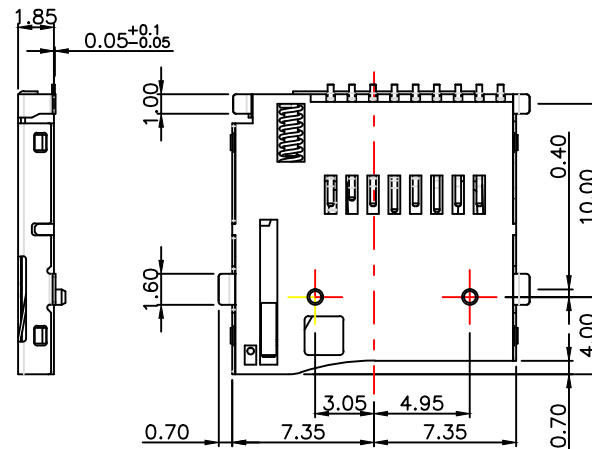
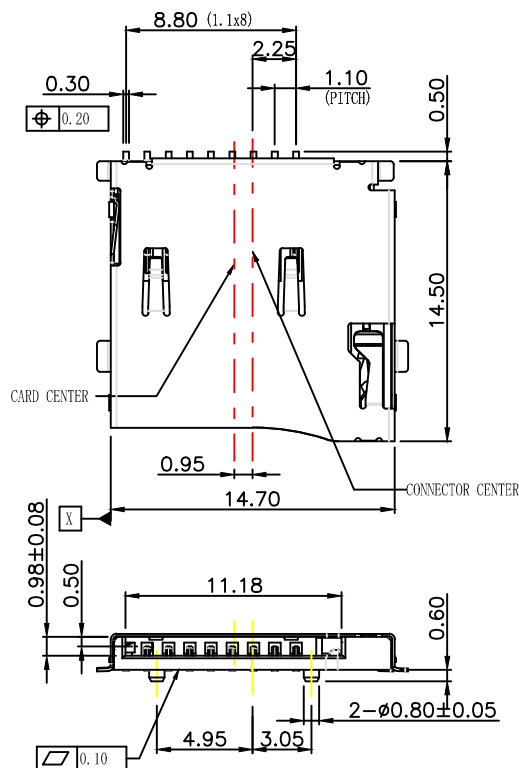
1

REV.	DESCRIPTION	DATE	DWG.	CHKD
0	PROPOSED	15/03/15	Leon	Klasu

CARD DETECTION SWITCH	
WHEN CARD IS EJECTED	WHEN CARD IS INSERTED
OPEN	CLOSE
Cd G	Cd G

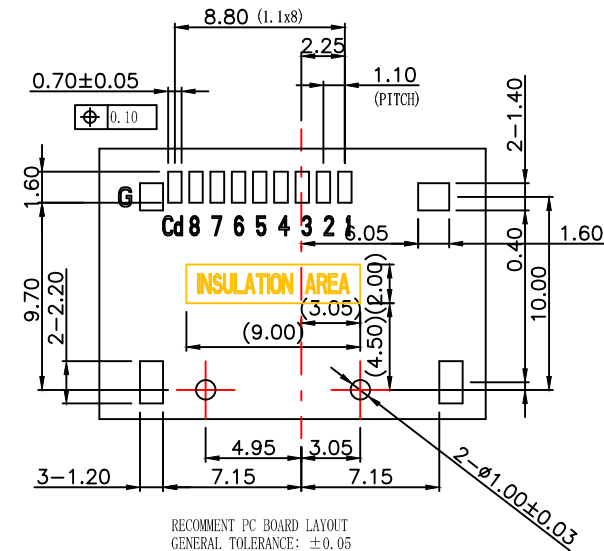


MATERIALS:
 HOUSING: HI-TEMP. PLASTIC (UL 94V-0), BLACK
 SLIDE: HI-TEMP. PLASTIC (UL 94V-0), BLACK
 CONTACT: PHOSPHOR BRONZE, GOLD PLATED OVER NI
 SHELL: SUS304
 SPRING: PIANO WIRE
 CRANK-AXLE: STAINLESS STEEL



PIN NUMBER	PIN ASSIGNMENT
1	DAT2
2	CD/DAT3
3	CMD
4	VDD
5	CLK
6	VSS
7	DAT0
8	DAT1
Cd	CARD DETECTION
G	GROUND

NOTES:
 1. ALL MATERIALS AND PLATING SPEC.
 COMPLY WITH THE GREEN PRODUCT POLICY.



CUSTOMER	*****	GENERAL TOLERANCE	±0.2 ±3°	SCALE	1:1	SIZE	A4	UNIT:mm	REV.	
CUSTOMER PART NO.	*****	PART NO.	1-3122-001R000							
Connectec Electronics Co., Ltd.		NAME		Micro SD Push Push Type w/SW 1.85H		CSHEET 1 OF 1				
APP.	15/03/15	CHKD	15/03/15	DWG.	15/03/15	PERAW NO.	1-3122-001R000			
	John		Klasu		Leon					